

NEW HOLLAND *Church-Furniture™*

Pews

Product Introduction · Product Selection



Setting the Industry Standard





*St. Francis De Sales, Holland, MI
Liturgical Design Consultant: Mark Joseph Costello, Chicago, IL
Architect: Progressive Architects, Grand Rapids, MI*

Radius Curved Pews — “Round For A Reason”

They Promote Maximum Seating
Through more Efficient Use of Space
They Enhance Worship by Creating
Community and Uniting the Family of God

New Holland Church Furniture's Commitment to You

Designing and buying church furniture is a significant decision that will influence your worship community for many generations.

As the leading producer of “custom” church furniture, our objective is to enhance your worship experience.

New Holland's commitment to meeting your needs is unique in the work we do. It begins with our initial encounter and qualified assessment of your needs, and continues through every phase of designing and crafting your pews.

New Holland's team of dedicated craftsmen, design professionals and sales consultants will listen to you, and help transform your requirements into classic church furniture.

Since 1919 we have been committed to providing quality furniture products to our customers.

New Holland's combination of timeless design, precise craftsmanship and fine natural wood produce an investment that will last for generations.

At New Holland, If You Can Imagine It We Can Build It!



Setting the Industry Standard

Quality, On-Time Delivery, Comfort, Durability

A Decision that Will Last for Generations

The decisions you will make to design and purchase church furniture are decisions that will influence your worship community for many generations. The New Holland Church Furniture team realizes the importance of your decision and will help you in every way possible.

Enhance, Embrace, and Engage

When selecting the seating arrangement for your new or renovated worship facility there are three very important questions to consider before making a final decision.

- Does your seating arrangement *Enhance* and create the building of your worship community?
- Does your seating arrangement *Embrace* the Sacred Space which is where the Word of God is delivered?
- Does your seating arrangement

help *Engage* the community in their worship?

Quality

New Holland Church Furniture has earned the mark of quality workmanship. New Holland Church Furniture is a *certified* member of the Architectural Woodwork Institute. AWI is an independent non-profit organization that sets stringent, high standards for the woodworking industry nationwide. These independent quality standards are built into every New Holland product. Consider choosing only a manufacturer who is a member of the AWI and meets their quality standards.

Look for the AWI seal from your manufacturer.



On-Time Delivery

Over the years New Holland has earned a superior track record of On-Time Delivery with our customers.

To assure on-time delivery, a project manager is assigned to your project and is responsible for coordinating project details. Project details start with material selection and continue through production and scheduling. When all of the project details have been completed, a confirmed delivery date will be assigned to the project.

Comfort

The comfort of a pew will be a significant factor that will affect your worship experience. The comfort of your pews will be affected by:

- Body Style
- Body dimensions and the degree of spacing between pews
- Individual sight lines to the front of the church or synagogue

Ultimately, comfort is determined by your individual requirements. To accommodate your needs New Holland offers contoured wood seats and backs, upholstered seats and backs, spring seats or any combination of these choices.

Durability

Durability is an important factor and must be a major part of the decision to select a manufacturer. All pews are not created equal so it is very important to understand that what you do not see in a pew is equally important as what you do see. If inferior materials are used, both appearance and comfort may be affected in just a few short years. Furthermore, safety may be affected if the foundation of the pew fails from the use of inferior material. Be sure that you choose a manufacturer that does not use particle board in the manufacturing process. On the following pages we will show you why.

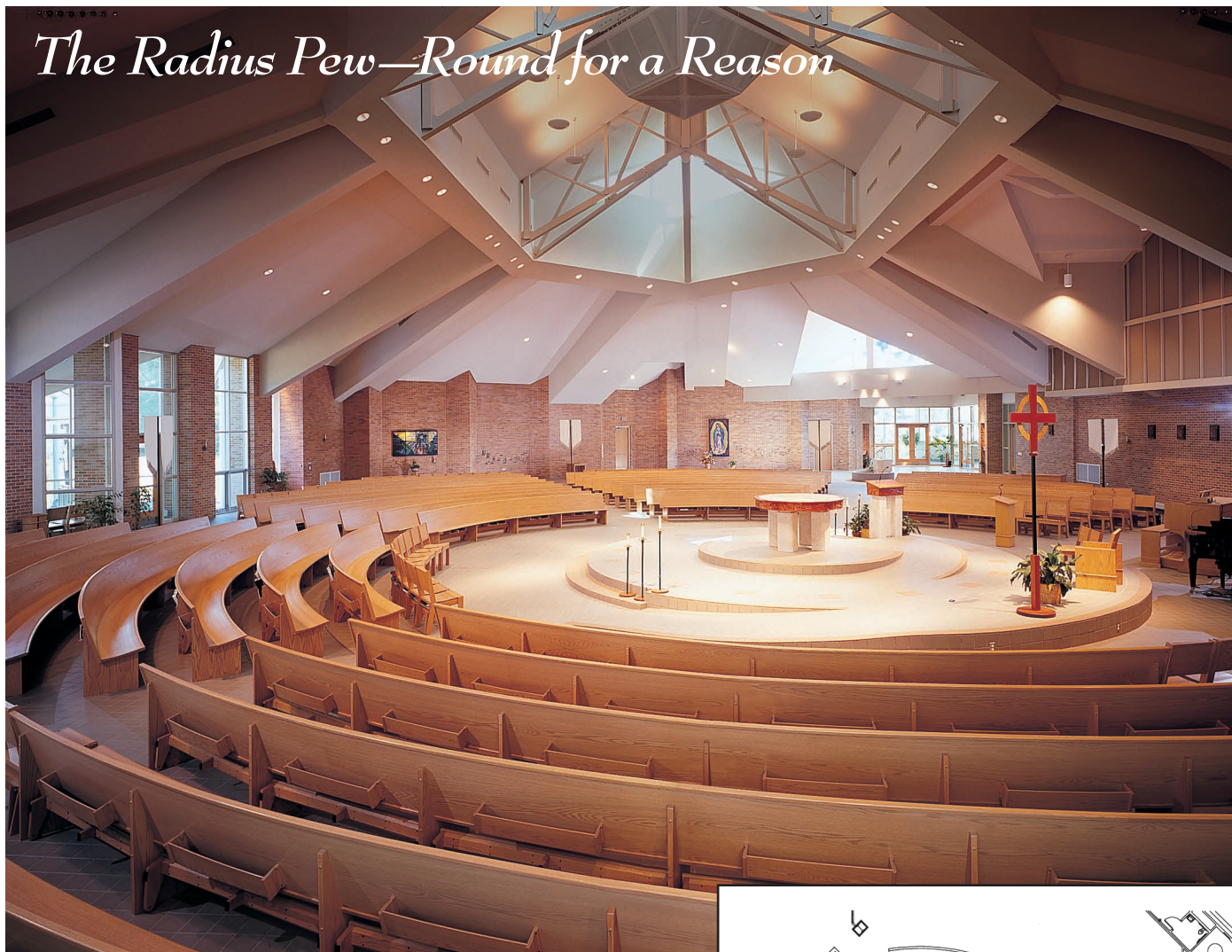


New Holland's attention to detail.

Radius Seating Arrangement

Curved Radius Pews are “Round For A Reason”.™ They are designed for maximum seating, circular for efficient use of space, designed to enhance the worship experience, created to build the community, and unite the family of God.

The Radius Pew—Round for a Reason



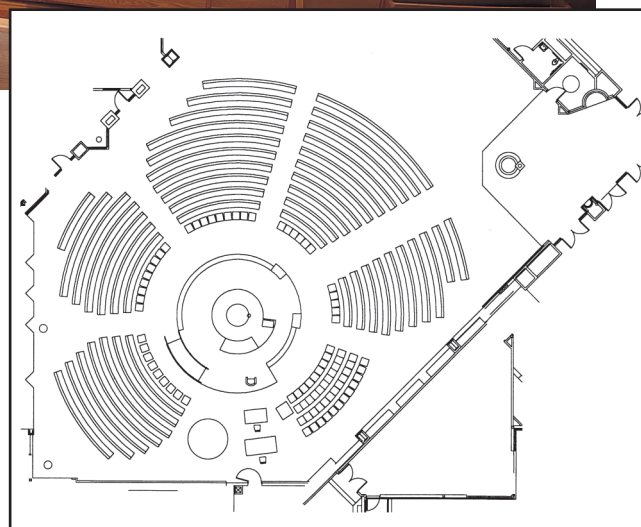
St. Francis De Sales Parish, Holland, MI • Liturgical Design Consultant:
Mark Joseph Costello, Chicago, IL • Architect: Progressive Architects, Grand Rapids, MI

As you enter the worship space, the curved lines of the pews which are in direct contrast to the building structure, present a graceful and uninterrupted seating solution. Radius pews also help provide a feeling of unity and closeness among the congregation.

New Holland Church Furniture takes great pride in being the nation’s leading manufacturer of Radius Pews.

No Through Seat Dividers

As you will notice in the picture there are no through seat dividers. Other manufacturers may install radius pews in *8 foot lengths*. Some manufacturers may have a through seat divider or butt joint every 8 feet. New Holland will only have one butt joint every 22 feet 6 inches.



Seating capacity: 775

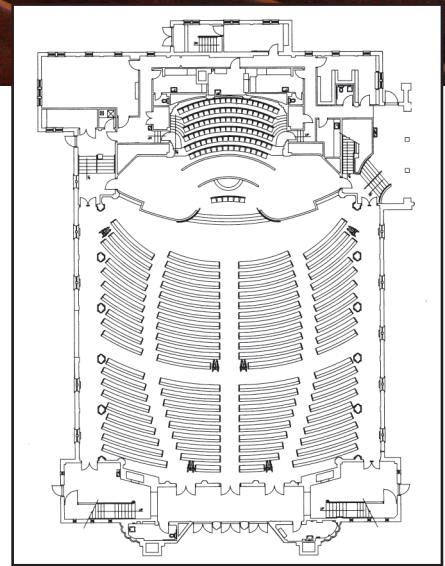
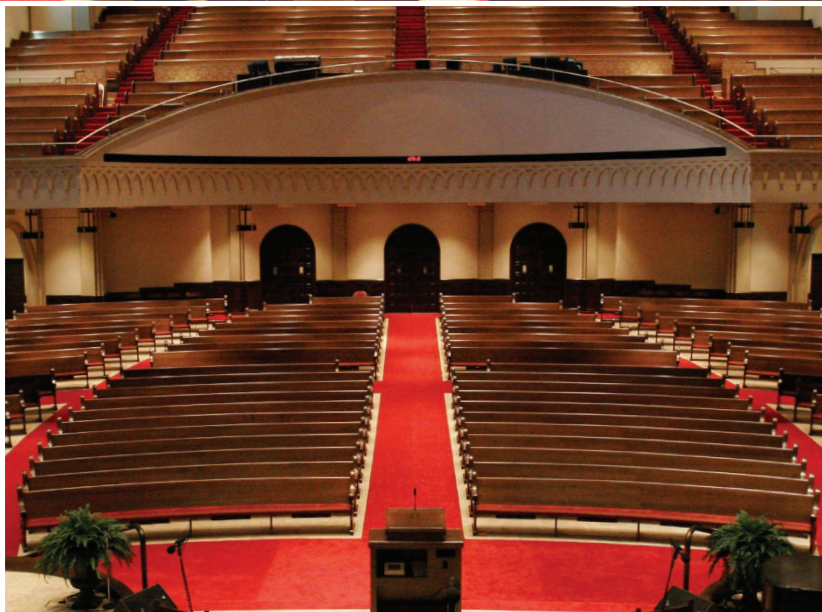
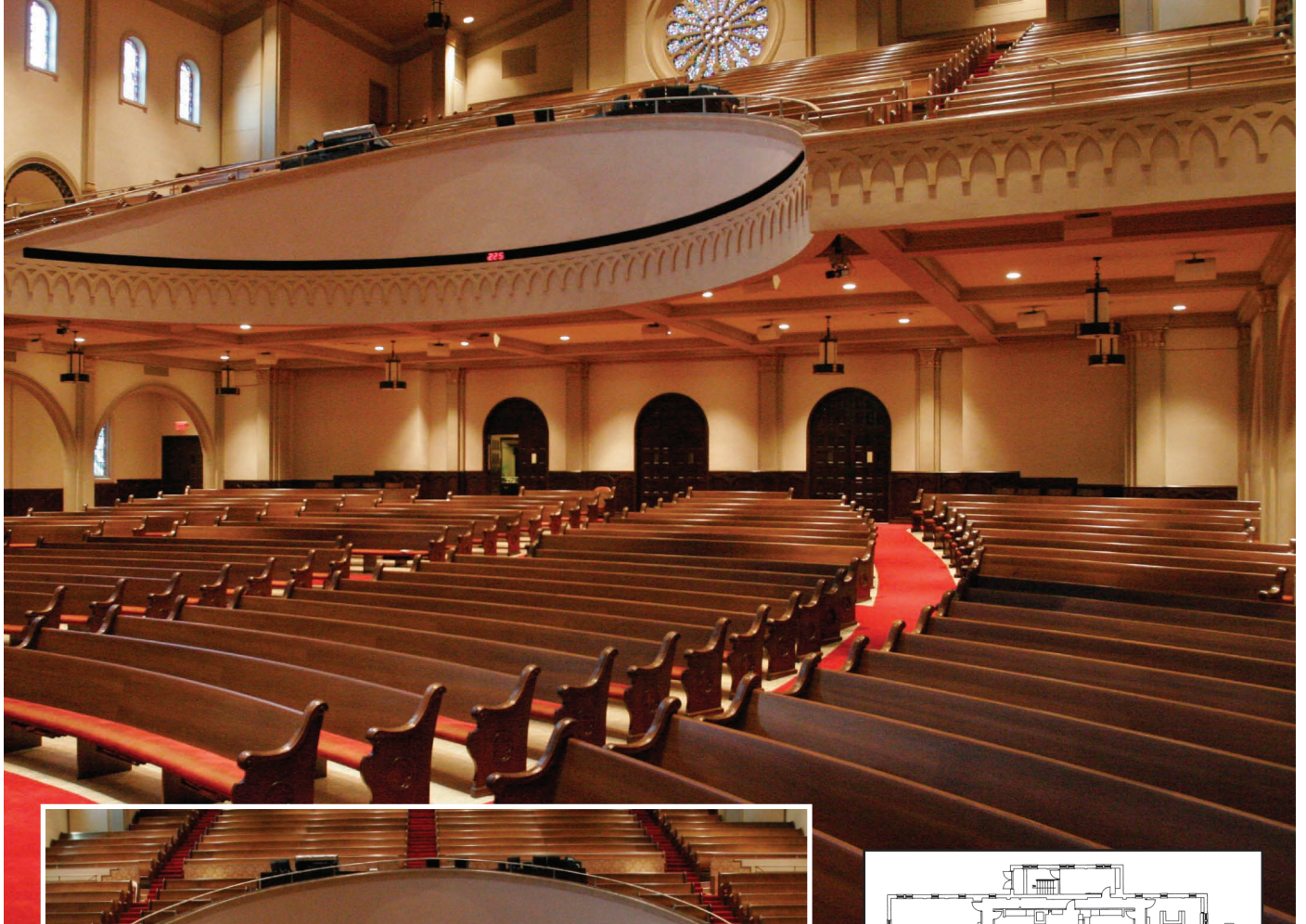
Setting the Industry Standard

NEW HOLLAND
Church-Furniture™

Combination Radius and Straight Seating Arrangement

At First Baptist Church, New Holland designed and installed radius pews on the main floor of the worship space and straight pews were installed in the balcony.

First Baptist Church, Abilene, TX • Architect: Tim McClarity Architecture, Abilene, TX



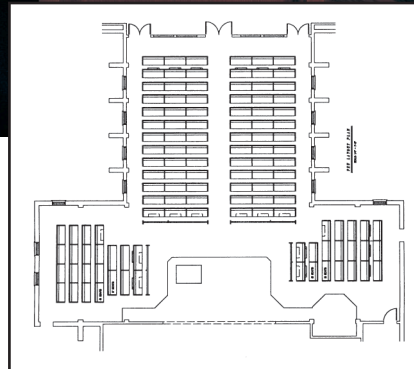
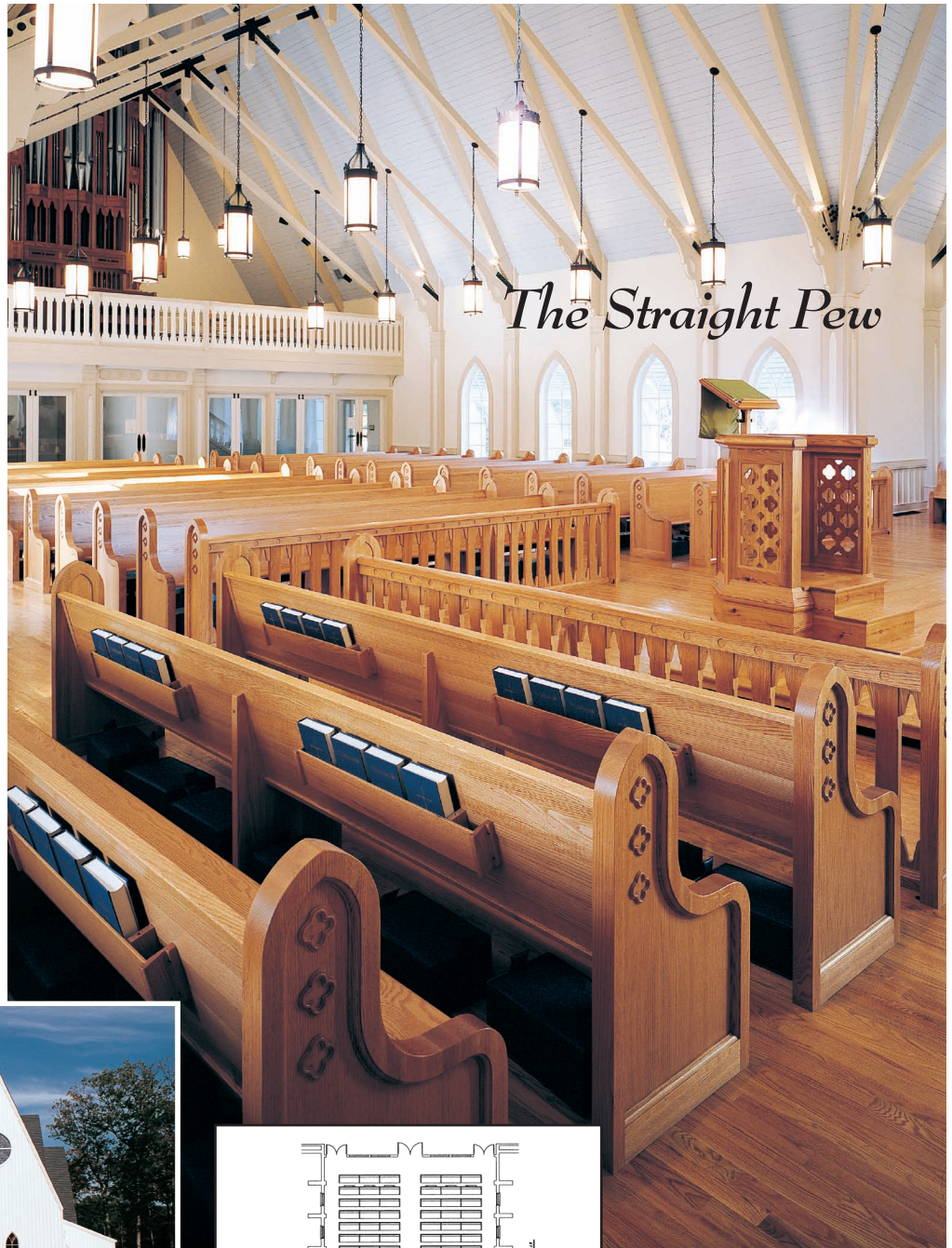
Seating capacity: 560

A signature design element of New Holland Church Furniture is the Curved Side Aisles. Curved aisles offer a truly unique appearance which can effectively connect architectural elements within the worship space. Curved aisles are available on most radius and straight pew arrangements.

Straight Seating Arrangement

The straight pew is the oldest traditional and most well known style. Though straight pews by virtue of their design are straight, the design professional can specify a seating arrangement placed in-line, or designed in a pie-shaped seating configuration. Straight pews are available in all body styles and options.

New Holland Church Furniture manufactured the straight pews for St. Mary's Episcopal Church in Richmond, Virginia. These pews incorporate solid oak seats and backs with custom end panels. The seating arrangement includes two rows of straight pews in front of the chancel area with transepts on both sides of the chancel for additional seating. In this seating arrangement, straight pews are an excellent design solution.



Seating capacity: 390

*St. Mary's Episcopal Church,
Richmond, VA
Architect: Heimsath Architects
Austin, TX*

Setting the Industry Standard



The Durability Factor— Intermediate and End Supports

An important element of a quality pew is the Intermediate and End supports. These supports must sustain the weight of those seated in three ways:

- **Horizontal movement** as people slide from side to side on the seat
- **Strengthening** of the pew back as people grab hold of the cap rail to stand up
- **Vertical support** for the seat and back

A poorly manufactured support may de-laminate, break, or fail to support the pew load.

Components of a New Holland Pew

New Holland Standard Support Construction

The interior core of a New Holland support is manufactured with a 1 3/8 inch solid wood edge nose and 20-ply cabinet grade plywood core material. Next, we glue a high density cross banding to enable greater bonding of the components. This ensures a better bonding surface for the outer ply of wood veneer.

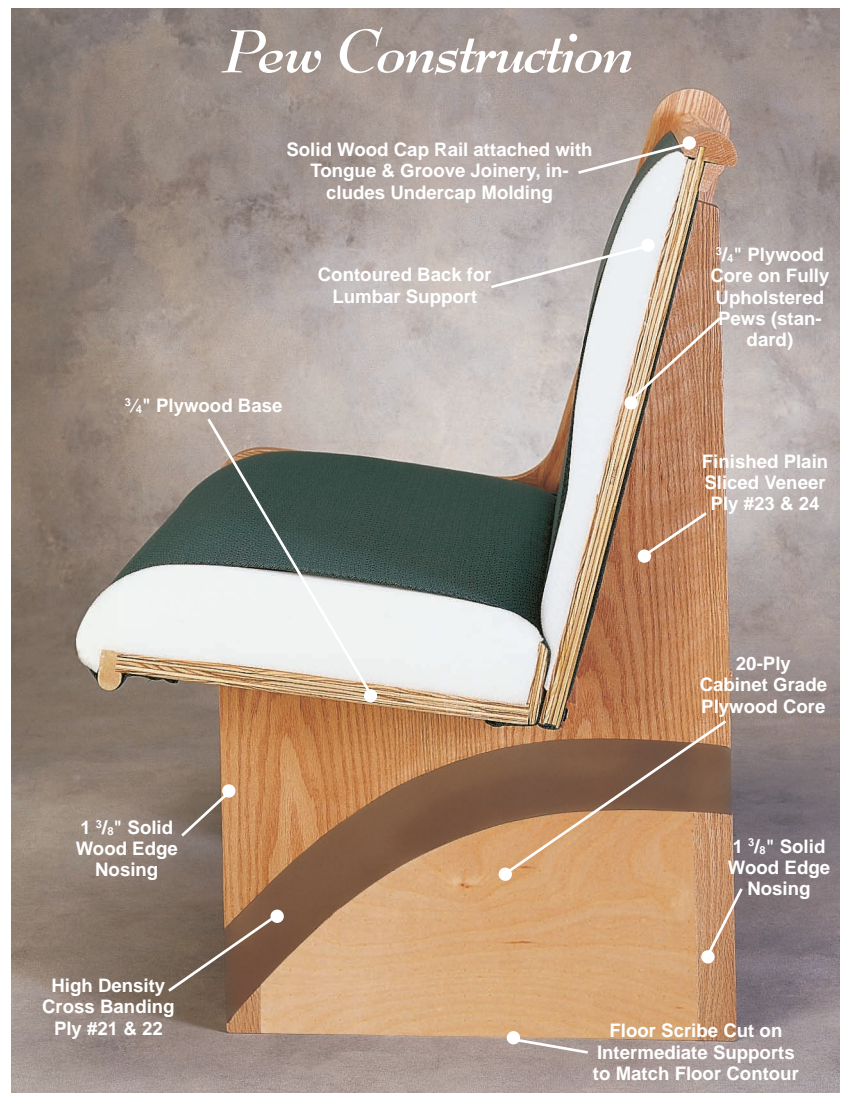
A 1 3/8 inch solid wood edge nose is applied to the front and back edge of the supports for two reasons:

- Solid wood edge nosing adds additional strength to the support
- Solid wood edge nosing prevents delamination because there is no veneer used on the edges of the supports. Both the front and back edge of the supports can absorb a great deal of abuse from vacuum cleaners and high traffic as people move in and out of the pews.

Supports are 24 -ply plywood unless solid wood is specified.



A unique *standard* feature of the New Holland end and intermediate supports is the *Bull Nose Edging*. Not only is this edge treatment aesthetically pleasing but it also addresses our customers safety concerns regarding sharp edges as people move in and out of the pew.



Standard Intermediate Support

Components of a New Holland Pew

Horizontal Stability Brackets

As the years pass, your new pews will be susceptible to a significant amount of horizontal stress. As shown below, this stress may cause wood to split when the toe screw method is used to attach the support to the seat bottom.



New Holland's metal horizontal stability bracket takes the stress off of the wood.



Avoid: inferior toe screwing method which causes wood to split from stress.



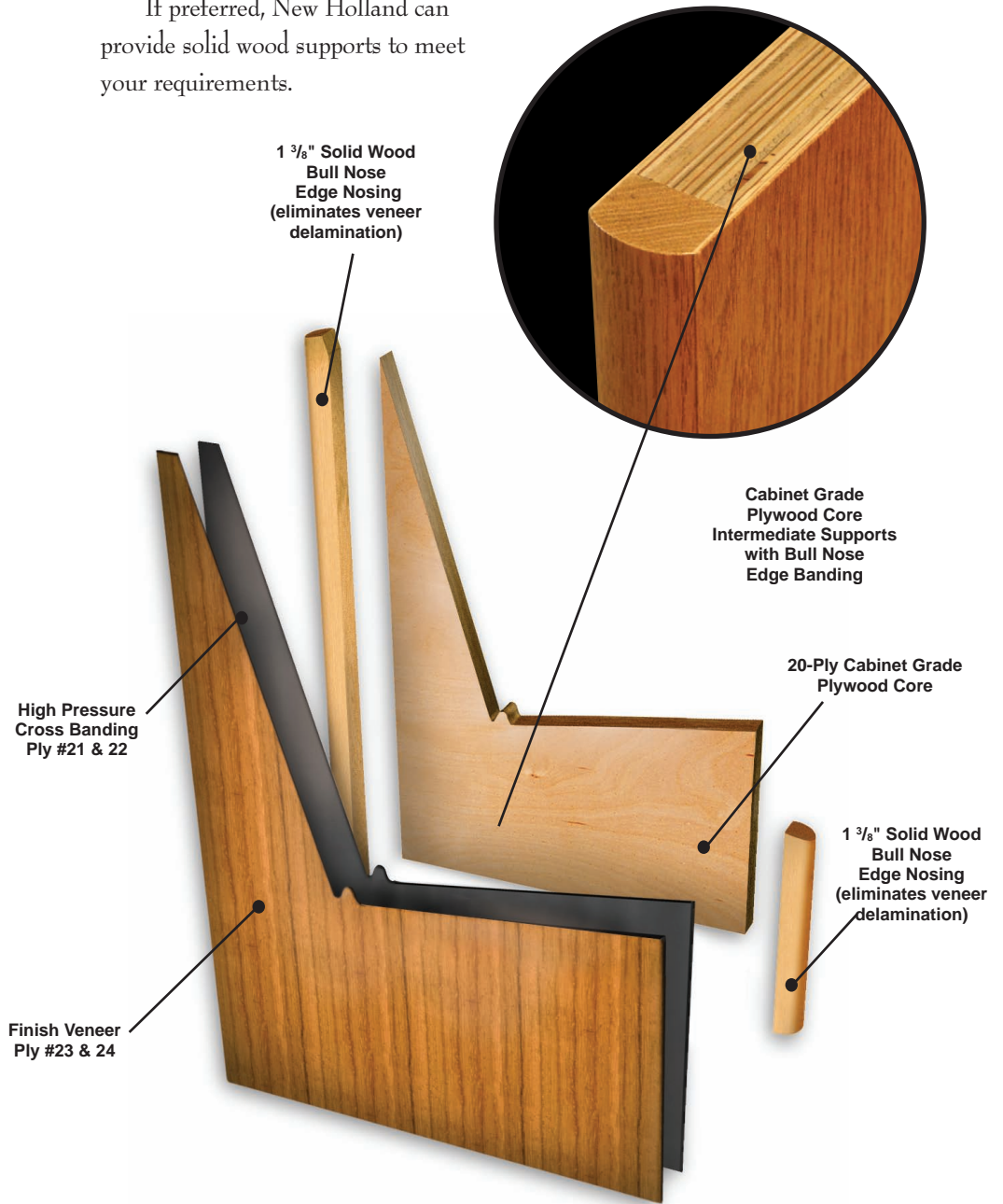
Avoid: veneer edge banded pew supports. This method is susceptible to peeling.

The metal brackets used by New Holland to attach the support and seats allows the pew to absorb the horizontal stress. These brackets also provide additional bracing for the support.

Optional Wood Supports

If preferred, New Holland can provide solid wood supports to meet your requirements.

Whether using New Holland's superior 24 ply plywood support or optional solid wood support construction, New Holland is confident of the durability provided in this important component of the pew.



Setting the Industry Standard



Components of a New Holland Pew

Pew Ends

Pew ends are the “Sides” of a pew exposed to the aisle. New Holland Church Furniture manufactures pew ends using 2-ply solid wood construction for two principle reasons:

- Exposure to high traffic in the aisles for maximum protection and strength.
- Solid 2-ply construction offers you the choice of almost any design which can be routed into each solid wood pew end.



New Holland's End Panel Detail

New Holland's 2-ply Solid Wood Pew End Panels Allow for Custom Routing

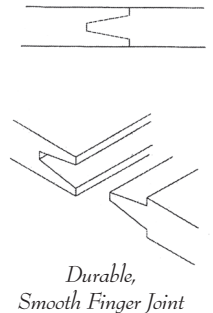


Avoid: a poorly manufactured end panel which may result in delamination of the veneer.

The above photograph illustrates an inferior construction method which uses only composite wood core and a thin laminated veneer. The high traffic in the aisle has caused a severe delamination problem.

Joinery

New Holland uses only the highest grade FAS (as specified by the National Hardwood Lumber Association NHLA and Architectural Woodwork Institute AWI) Northern Appalachian red oak or other choices indicated on page 10. In most cases, solid wood lumber is purchased in lengths ranging from 8 to 14 feet. During the manufacturing process whenever a joint is necessary, New Holland incorporates a durable smooth finger joint on pews up to 22 feet 6 inches in length. This superior joinery guarantees our customers a smooth continuous construction. This joinery method will not become misaligned.



The photographs below illustrate what can happen when inferior butt joints are used.

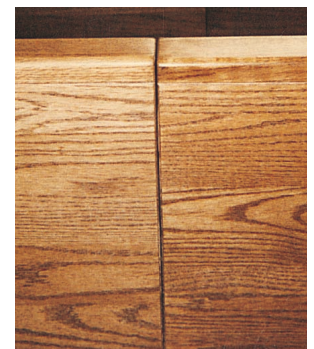
In pew lengths that exceed 22 feet 6 inches, New Holland specifies a superior joinery system that combine metal plates at each joint.



Avoid: crude brace for butt joint cap rail.



Avoid: misaligned seat joints (left) and pew backs (right) due to inferior butt joints.



Upholstery and Fabric

Cap Rails

Cap rails offer two elements of durability to the pew:

- Each time a person rises from a pew, they will typically grab the pew in front of them at the cap rail. It is a very high stress point.
- The cap rail adds additional horizontal strength to the pew back.

New Holland Church Furniture offers a choice of two standard cap rails. Both options include an under cap molding for durability and beauty. All standard cap rails are glued and tongue and grooved to the back. Cap rails are shaped from wood that is in continuous lengths of up to 16 feet. All lengths over 16 feet are spliced together using finger joints.

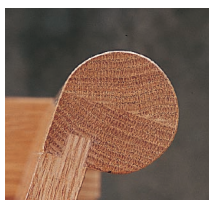


Standard Radius Cap Rail



Standard Rectangular Cap Rail

New Holland will also manufacture custom cap rails as specified by your designer such as these two pictured here.



Custom Cap Rails available



New Holland provides rope welting to keep wear and tear away from upholstery seams.

Upholstery

Although some of our pews are not upholstered, many are manufactured with a combination of upholstered seats and backs or upholstered seats with wood backs.

New Holland stretches the fabric that is applied to an upholstered pew during manufacturing both directions: from side to side and from front to back. All fabric edges are folded over before fastening to protect the edge of the fabric from fraying.

Rope welting is used to finish each end of the pew as pictured above for beauty and a longer lasting fabric finish. This is one of New Holland's most unique features.



Avoid: 100% Olefin fabric.

The fiber content for pew upholstery is very important. When specifying or making a fabric selection for upholstered church pews, you must evaluate the fiber content of the material used to weave the fabric. Be sure to specify a fabric that contains 100% Nylon, 100% Polyester or a combination of these fibers with other synthetic fibers. Fabric combining Nylon and Polyester fibers have demonstrated greater resiliency. This material helps to avoid unsightly ripples or loose fabric over time.

All New Holland standard fabrics have passed the National Association of Furniture Manufacturers (NAFM) testing for abrasion resistance, tear strength, shrinkage, fading, stretching and color fastness. Plus, all New Holland fabrics are treated with a Teflon or soil & stain resistant fabric protector.

The Spring Seat

The spring seat offered by New Holland Church Furniture continues to be one of our most popular options when upholstered pews are being considered.



New Holland's superior spring seat construction.

Spring seats offer the most comfort of any seating foundation available and will outlast foam padding. The spring creates an arch that moves and follows the body contour, does not bottom out and will provide even greater support than foam padding.

Setting the Industry Standard

NEW HOLLAND
Church-Furniture™

Wood Finishing and Wood Selection

Wood Choices

New Holland offers a variety of wood species. Our standard wood is Northern Appalachian Red Oak which can be combined with other species. Additional wood selection options which are commonly available include:

- European Beech
- White Oak
- Maple
- Mahogany
- Cherry
- Rift Cut Oak

A large selection of wood allows the design professional to creatively combine two or more species of wood or specify an additional inlaid wood design in the pew ends.

Wood Staining



New Holland's craftsmen hand stain all of our church furniture.

New Holland's standard finishing method "hand rubs" the stain into the grain of the wood. "*Hand rubbing*" the initial stain and "*cross wiping*" it into the wood provides a deeper penetration into the grain resulting in a better appearance of the wood's natural beauty.

The Final Wood Finish

After staining, we apply a vinyl sealer that seals the wood, before applying our top coat.

New Holland currently uses the premium grade conversion varnish finish on all of our products. This high quality conversion varnish finish is highly resistant to scratching, household chemicals and body oils.

The first photograph below illustrates the ability of New Holland's superior finish to withstand acetone based nail polish remover being applied to the surface. The second photo below illustrates the result when it is applied to a lower quality finish.



New Holland's finish can even withstand nail polish remover.



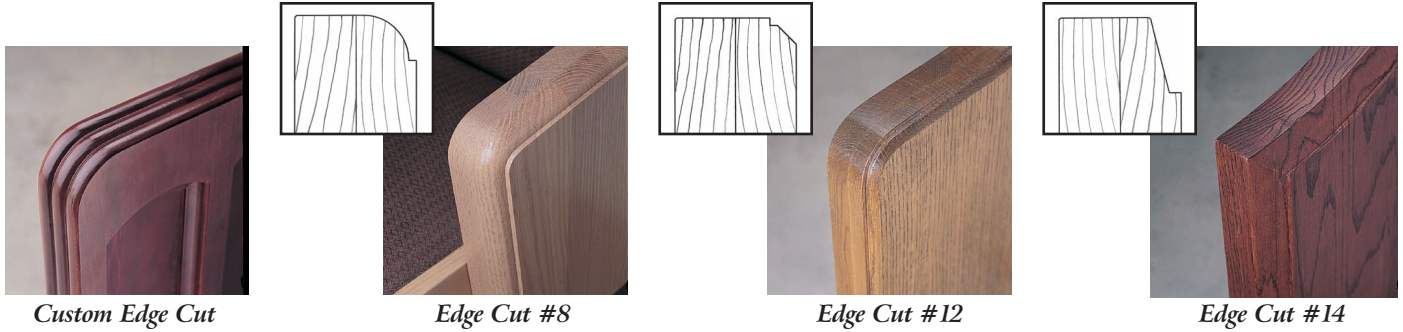
Other finishes may be ruined by the solvents in nail polish remover.



New Holland is using AWI (Architectural Woodwork Institute) premium conversion varnish finish system.

Standard Pew End Selection

Pew ends are a very important part of any pew design. At New Holland Church Furniture, we give our customers a variety of end designs that can be matched with most any of our pew bodies. Our motto is: *"If You Can Imagine It We Can Build It."* In addition to our large variety of standard end designs, New Holland can accommodate virtually any custom design you can imagine. All of our solid wood ends can be routed with custom symbols or designs to match your individual requirements. Pew ends pictured on pages 11 through 14 include a standard edge cut which complements the design of the end. Optional or custom edge cuts are available.



All pew ends are shown in red oak or painted, unless otherwise noted.



*End 108
shown in Cherry*



*End 160, Body 50 US3
shown in Mahogany*



*End 180, Body 70 US3
shown in Red Oak*



*End 155, Body 50 US3
shown in Mahogany*



*End 151, Body 74 US3
shown in Maple*



*End 114, Body 54 US3
shown in Mahogany*

Setting the Industry Standard



Standard Pew End Selection



End 105



End 106
End 106 with optional
custom two panel rout



End 107, Body 50 SBB



End 171, Body 70 US3



End 176, Body 80 US3



End 138



End 121, Body 54 LS



End 122, Body 64 SS
End 122 with optional
custom arm rest
shown in European Beech



End 123, Body 54 US3
shown in Mahogany

Standard Pew End Selection



End 125, Body 50 US3



*End 101, Body 64 SS
shown in Mahogany*



End 134, Body 84 US3



End 131, Body 74 US3



End 139, Body 74 US3



End 104, Body 54 US3



*End 126, Body 64 SS
shown in Cherry*



End 124, Body 54 US3



End 186, Body 64 SS

Setting the Industry Standard

NEW HOLLAND
Church-Furniture™

Additional Standard Pew End Selection



End 140, Body 54 US3



*End 136, Body 70 US3
(end shown without edge cut)*



End 115, Body 90 US3



End 144, Body 50 SBB Radius



End 127



End 128



End 181



End 187



End 188

Custom Pew Ends

*If You Can Imagine It We Can Build It
is what our customers have come to expect from New Holland.*

Before Replication



Custom End 1



Custom End 2



*Custom End 3
After Replication*



Custom End 4



Custom End 5



Custom End 6

2 Ply Solid Oak Pew End Panels allow for custom routing.



Setting the Industry Standard



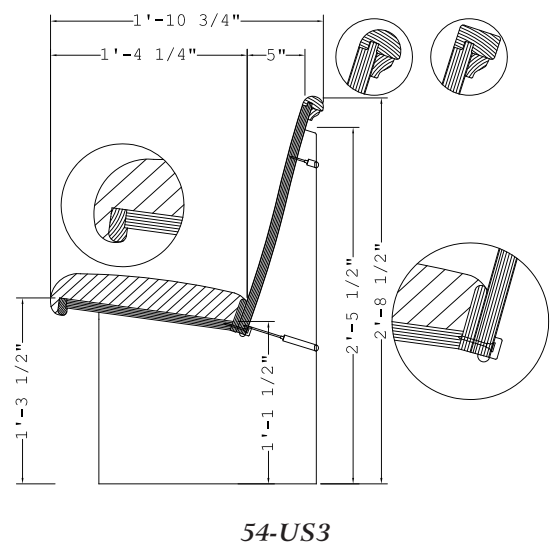
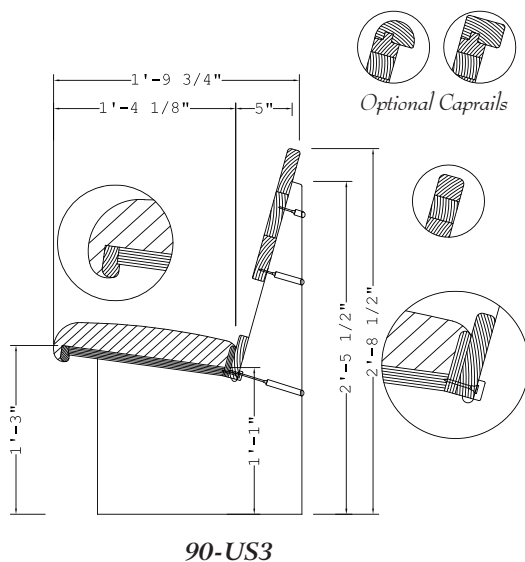
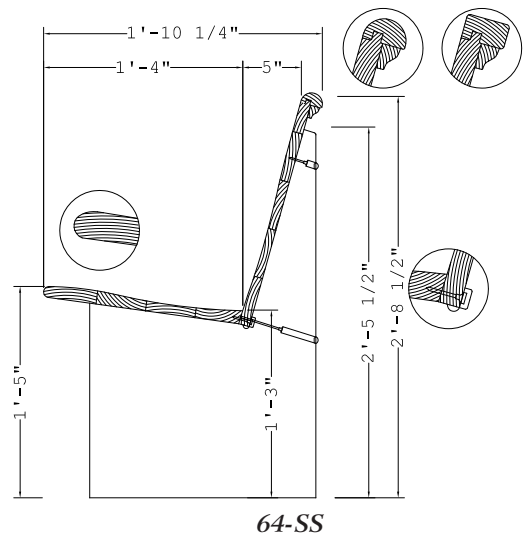
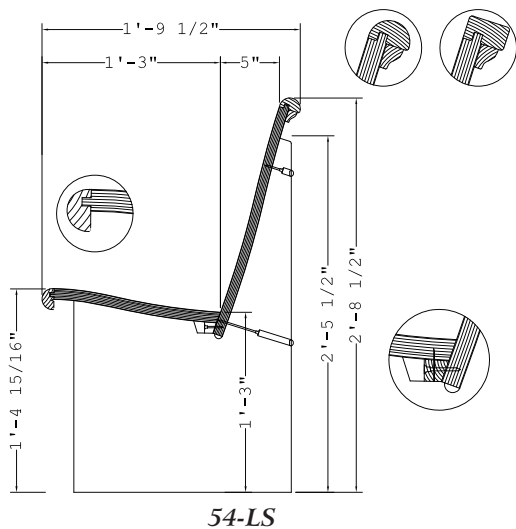
B

acks

- 50 5-ply laminated 13/16" thickness flat (not shown)
- 54 5-ply laminated 13/16" thickness contoured for comfort
- 64 Solid wood contoured for comfort (60-solid wood flat back)
- 70 Upholstered front of back, veneer to rear side laminated
- 74 Upholstered front of back (contoured), veneer to rear side laminated
- 80 Upholstered both sides of back over 3/4" plywood
- 84 Upholstered both sides of back (contoured) over 3/4" plywood (not shown)
- 90 1 1/8" x 12" solid wood, open style
- 90C Same as 90 with optional cap rail (round or flat profile) (not shown)

Available Pew Body Options (No particle board used)

***W Option** All back styles are available 2" wider (see body detail 54W-US3).

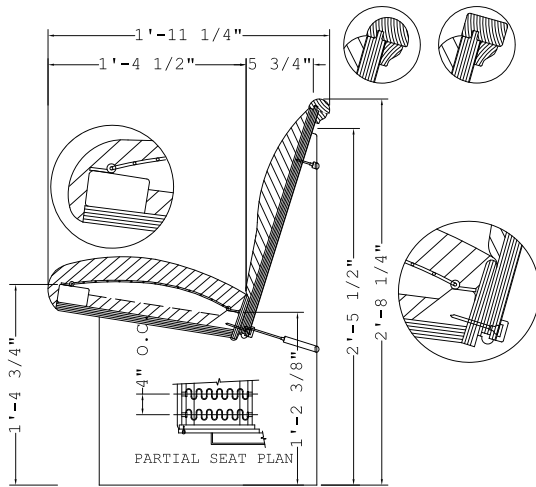


S eats

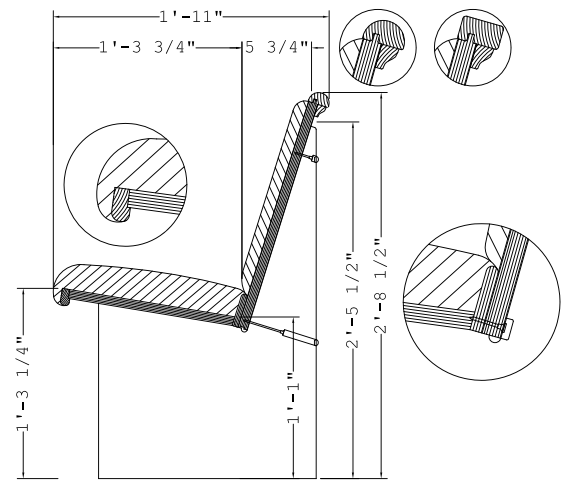
Available Pew Body Options (No particle board used)

- LS Laminated 7-ply $\frac{15}{16}$ " thickness contoured for comfort
 - SS Solid wood contoured for comfort
 - US3 Upholstered 3" foam thickness over $\frac{3}{4}$ " cabinet grade plywood with solid wood edge-nosing
 - USS Arched serpentine spring with 2" foam and upholstered over $\frac{3}{4}$ " cabinet grade plywood and solid wood rail foundation for maximum comfort
- *SBB Option** All solid wood pew bodies are available in optional butcher block construction (not shown)

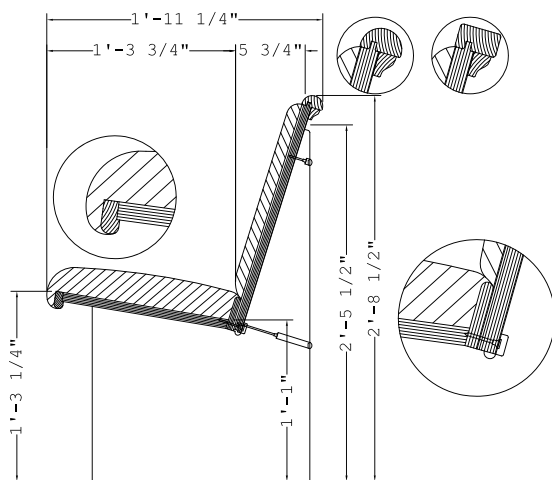
Note: Cap Rails at top of backs are available in your choice of rounded, flat profiles, or optional custom profile as specified.



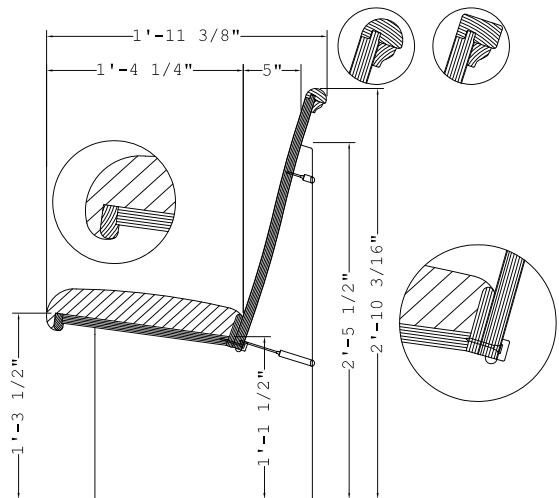
74-USS Spring Seat



70-US3



80-US3



54W-US3

Frontal Screens

Frontal screens can add that finishing touch to your furniture package. Pictured here are four of our most popular standard frontal screens. However, New Holland Church Furniture can provide custom details to our standard screen designs or manufacture virtually any custom designed frontal screen that you can imagine.



125F



106F

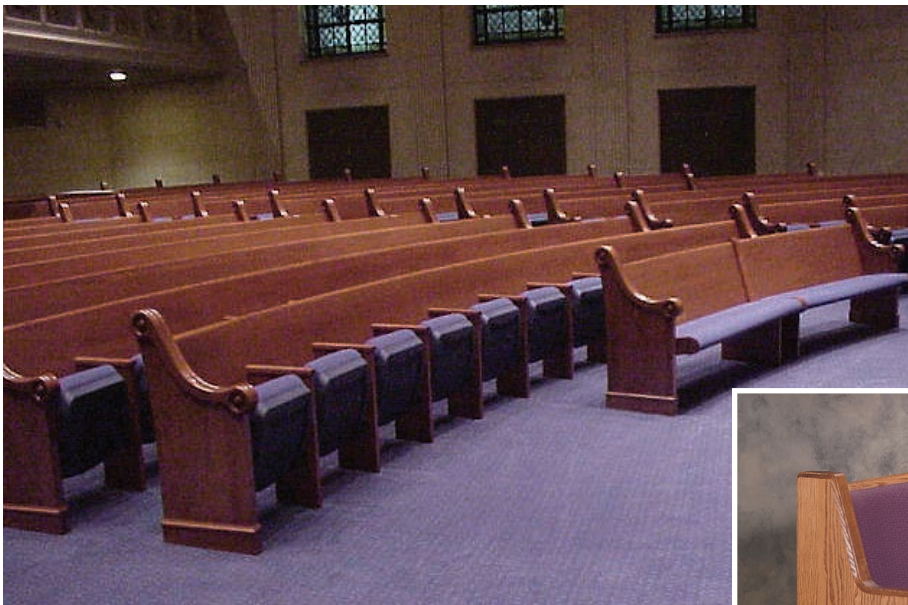


106FP



104F

New Holland Combination Seating Option



*New Holland Defined Seating Option
with individual self-rising theatre seats*

When there is a need for individual seats or defined seating, New Holland can work with you to provide options to suit your requirements.



*106 FP Stained
with Custom
Carving Inserted*

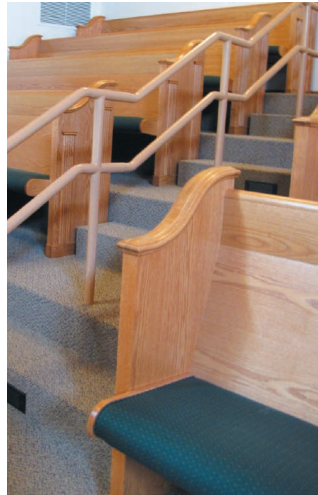


*New Holland Defined Seating Option
with individual back pads and armrests*

Pew Options



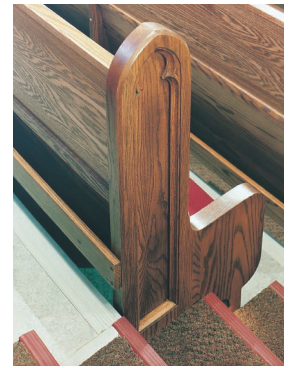
"D" Style Solid Wood Upholstered Kneeler with 4 lb. high density foam



Extended Balcony High Backs



Continuous Balcony Extended Back



Toe Kick Covers for added safety in the balcony area



Upholstered Metal Kneeler with 4 lb. high density foam



B232- 3 book (no accessories)



"E" Style Solid Wood Noise Reduction Kneeler with 4 lb. high density foam



B232CP- 3 book with built-in card and pencil holder



C-3 Independent Communion Cup Holder



CP Independent Card & Pencil Holder



B232CPC- 3 book with one card and pencil holder and two communion cup holes built-in each end of rack



CPC Independent Card, Pencil, & Cup Holder



Optional External Communion Cup Holders for Bookracks



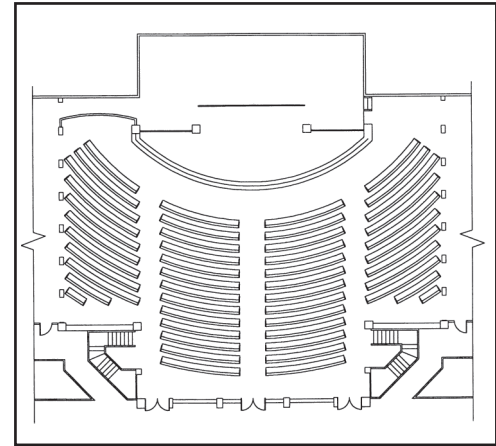
Under Seat to Front Bookrack

All bookracks are available in 2, 3, 4 or continuous book capacity with or without built-in accessories.

Setting the Industry Standard

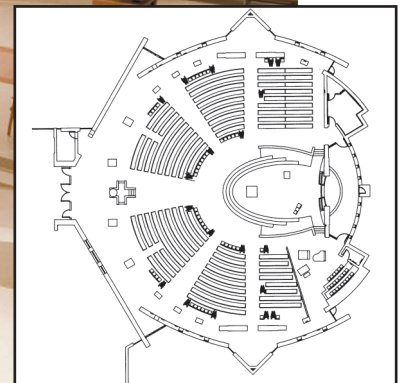


Installations

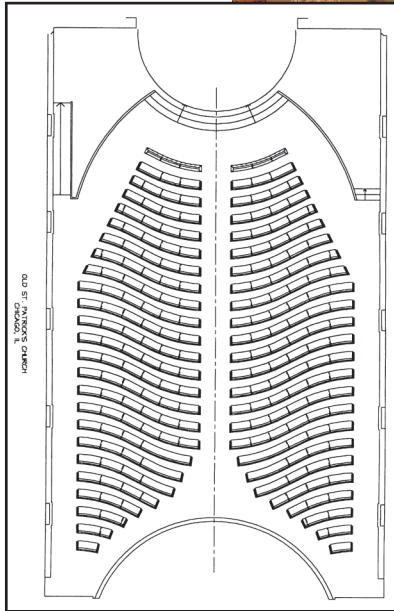
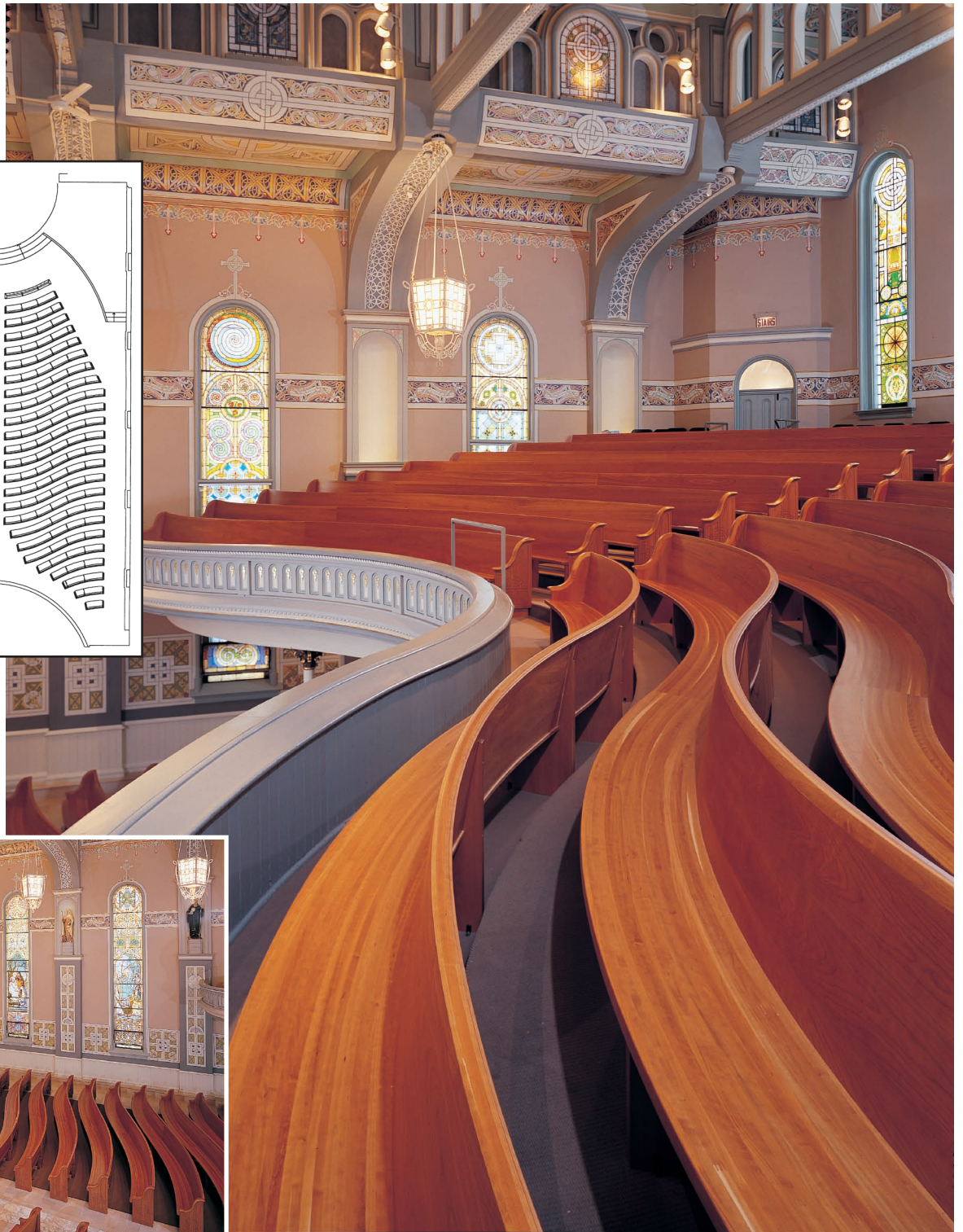


Seating capacity:
Nave: 632
Balcony: 126
Total: 758

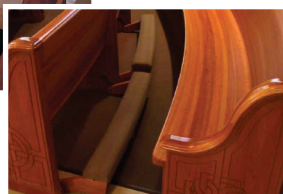
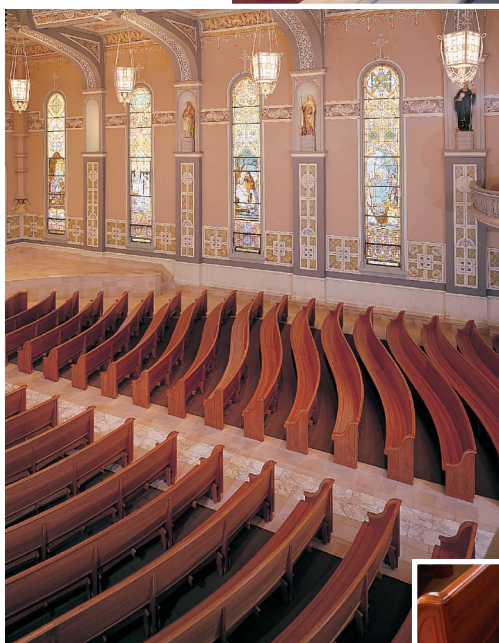
*Vienna Presbyterian Church,
Vienna, VA
Architect: LeMay Erickson Architects,
Reston, VA*



*Christ The King Catholic Church, South Haven, MS
Architect: Askev-Nixon-Ferguson, AIA, Memphis, TN
Liturgical Consultant: Kenneth J. Griesemer, AIA, Albuquerque, NM*



Seating capacity:
Nave: 360
Balcony: 320
Total: 680



St. Patrick's Catholic Church, Chicago, IL • Architect: Booth Hansen Associates, Chicago, IL

Setting the Industry Standard



Installations



Individual-defined Pew Backs



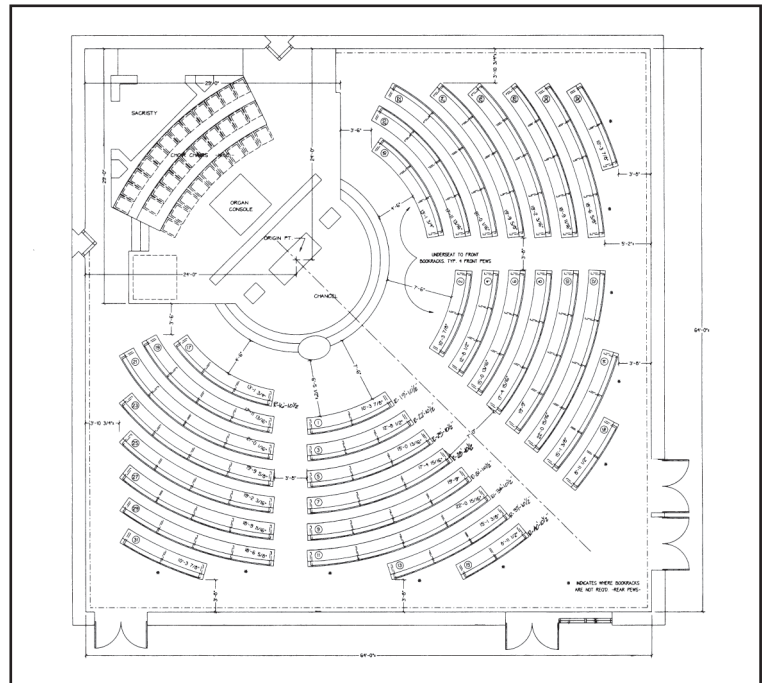
Hebrew Education Alliance, Denver, CO • Architects: Gensler & Associates, Denver, CO and Levin & Brown, Baltimore, MD



Photo: Rose Studio, Inc., Atlanta, GA

Church of the Apostles, Atlanta, GA • Architect: CDH Partners, Atlanta, GA

Brown Memorial Presbyterian Church, Baltimore, MD
Architect: Ziger/Snead, Inc., Baltimore, MD



Seating capacity: 365

1996 Design Awards Program
American Institute of Architects, Baltimore, MD

Setting the Industry Standard



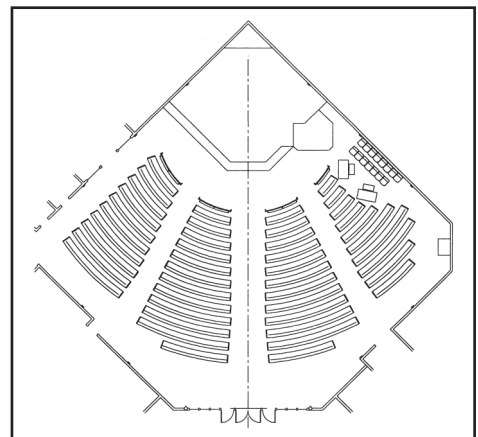
Installations



This custom pulpit is an example of New Holland's ability to produce custom chancel furniture.



*Advent Evangelical Lutheran Church, Zionsville, IN
Architectural Interiors & Furnishing Design: The Creighton Studios, Indianapolis, IN*



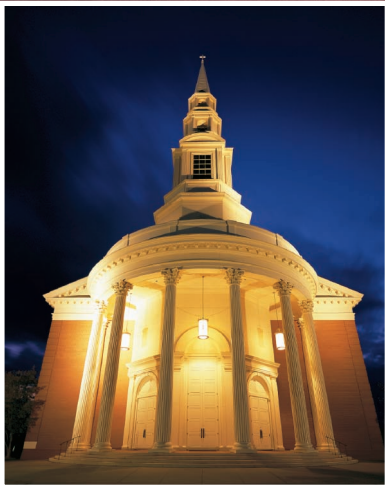
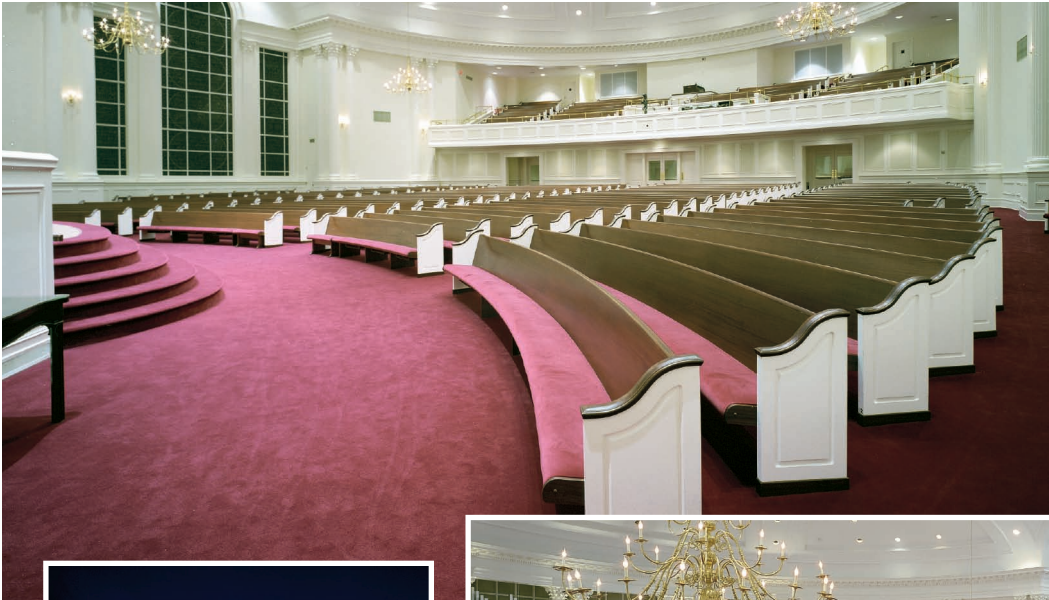
St. Mary's Catholic Church, Arcata, CA • Artist/Liturgical Designer: Roger Hogan
Architect: Crow/Clay Associates, Eureka, CA

Seating capacity: 430

Setting the Industry Standard



Installations



First Baptist Church, Augusta, GA • Architect: The Woodhurst Partnership, Augusta, GA



*Chapel of the Incarnate Word, San Antonio, TX
The Chapel of the Incarnate Word is a registered trademark of the
Congregation of the Sisters of Charity of the Incarnate Word*

Installations



Photo: Norman McGrath

St. Augustine's Roman Catholic Church, Ossining, NY • Architect: Moger Woodson Architects, New York, NY



Peachtree United Methodist Church, Atlanta, GA • Architect: Jova, Daniels, Busby Architects, Atlanta, GA

Setting the Industry Standard



Installations



Union Branch Baptist Church, Petersburg, VA • Architect: Huff Morris Architects, Richmond, VA



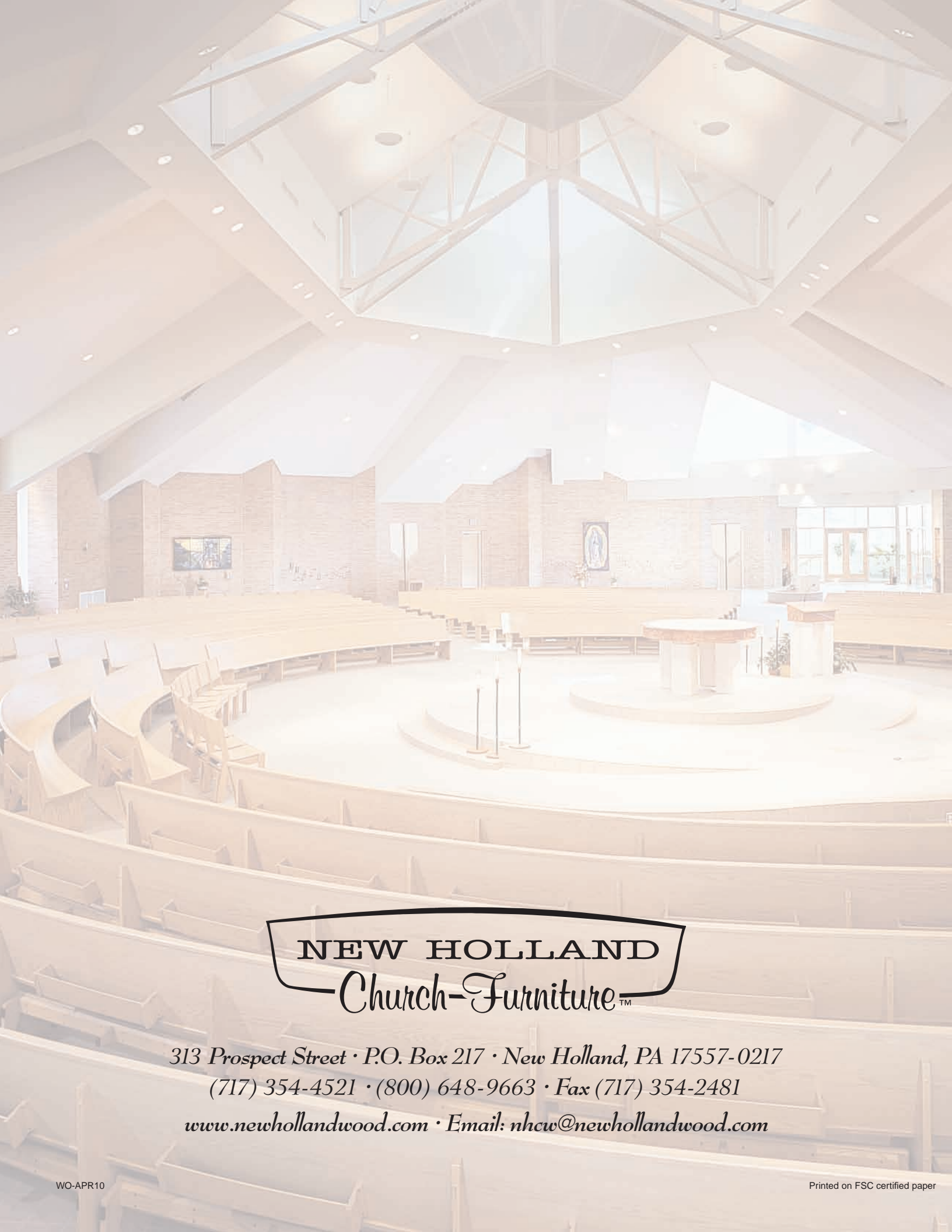
St. Luke's Catholic Church, Irving, TX • Architect: Robert Allen, Dallas, TX

New Holland Church Furniture's Business Values

- We believe we must honor God above all else and that He wants us to value people above all things.
- We believe all people are important regardless of their background or position.
- We are committed to respect, fairness, honesty, and openness in our relationships with customers, employees, suppliers, neighbors and regulators.
- We believe we earn the loyalty of our customers by providing superior quality and service.

Setting the Industry Standard





NEW HOLLAND
Church-Furniture™

313 Prospect Street · P.O. Box 217 · New Holland, PA 17557-0217
(717) 354-4521 · (800) 648-9663 · Fax (717) 354-2481
www.newhollandwood.com · Email: nhcw@newhollandwood.com